

No.

205 / USA 11

3rd prolongation

**CERTIFICATE OF JUMPING HILL
CERTIFICAT DE CONFORMITE
SCHANZENPROFILBESTÄTIGUNG**

Date of issue 05.03.2022
Établi le
Ausgestellt am

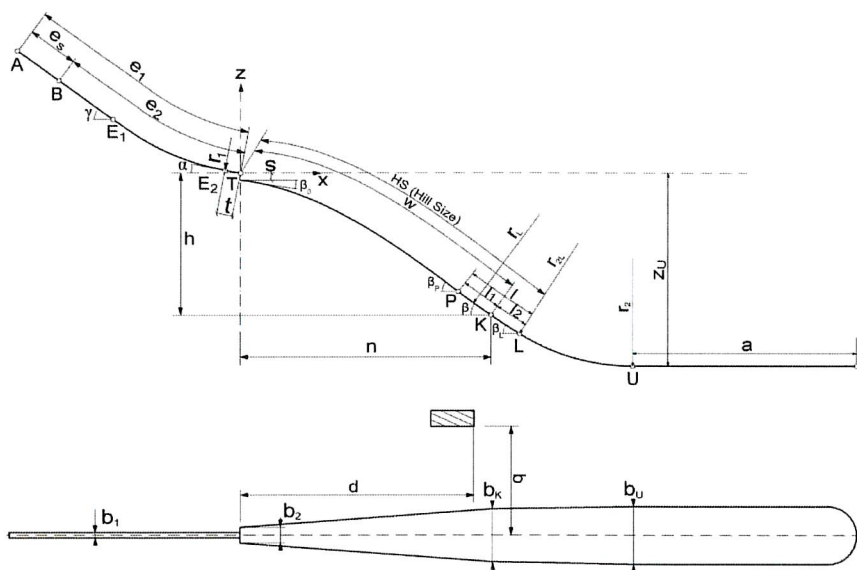
Valid till 30.04.2027
Valable jusqu' au
Gültig bis

Place: Lake Placid

Name: Olympic Hill

HS = 100 m h/n = 0,555

Vo = 23,92 m/s



$e_1 = 89,19 \text{ m}$	$l = 22,80 \text{ m}$	$z_U = 66,31 \text{ m}$
$e_2 = 62,09 \text{ m}$	$l_1 = 12,80 \text{ m}$	$P = 77,00 \text{ m}$
$e_s = 27,10 \text{ m}$ 29 gates	$l_2 = 10,00 \text{ m}$	$K = 90,00 \text{ m}$
$t = 6,30 \text{ m}$	$a = 95,00 \text{ m}$	$L = 100,00 \text{ m}$
$\gamma = 35,20^\circ$	$\beta_p = 36,20^\circ$	$b_1 = 2,50 \text{ m}$
$\alpha = 10,50^\circ$	$\beta = 34,00^\circ$	$b_2 = 5,40 \text{ m}$
$r_1 = 76,00 \text{ m}$	$\beta_L = 32,00^\circ$	$b_K = 18,01 \text{ m}$
$h = 43,97 \text{ m}$	$r_L = 267,00 \text{ m}$	$b_U = 19,82 \text{ m}$
$n = 79,24 \text{ m}$	$r_{2L} = 131,80 \text{ m}$	$d = 23,50 \text{ m}$
$s = 2,68 \text{ m}$	$r_2 = 117,00 \text{ m}$	$q = 51,90 \text{ m}$

Remarks / Bemerkungen

1. inspection by Richard Kaiser (10th June 2021) and release at 2nd march 2022
2. the remarks of the inspectionreport must be observed and fulfilled for the validity of the certification.
3. for fulfilling the (FIS ICR) standards of the jumpinghill, the owner is responsible during training and competition.
4. for international competitions, the installation of a toilet at the starting area is necessary latest for the winter season 2022/23

JUMPING HILL APPROVED BY THE FIS
TREMLIN HOMOLOGUE PAR LA FIS
DURCH DIE FIS GENEHMIGTE SPRUNGSCHANZE

SUB-COMMITTEE FOR JUMPING HILLS

CHAIRMAN:



Hans-Martin Renn