

No. 356 / POL 7 **certificate after new construction**

CERTIFICATE OF JUMPING HILL CERTIFICAT DE CONFORMITE SCHANZENPROFILBESTÄTIGUNG

Date of issue 16.08.2021
Établi le
Ausgestellt am

Valid till 30.04.2026
Valable jusq' au
Gültig bis

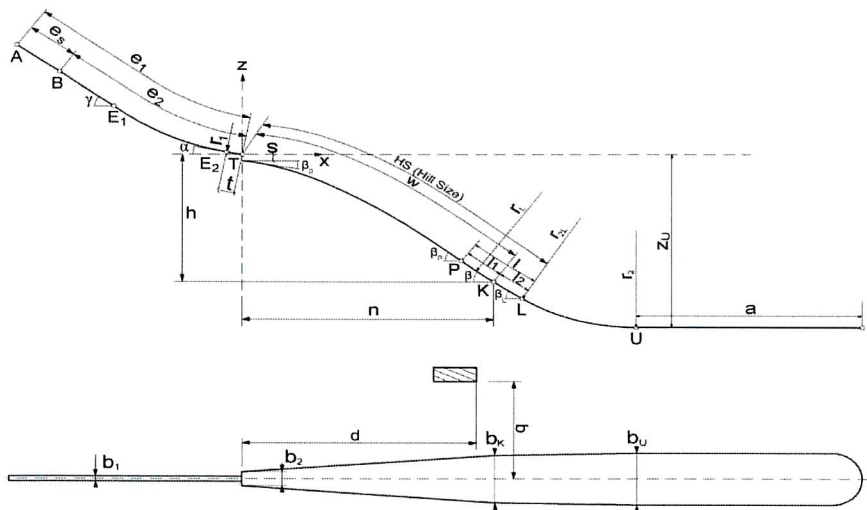
Place: Zakopane

Name: Srednia Krokiew

HS = 70 m

$h/n = 0,517$

$V_o = 21,70$ m/s



$e_1 = 68,45$ m	$l_1 = 6,00$ m	$P = 58,00$ m
$e_2 = 54,45$ m	$l_2 = 6,00$ m	$K = 64,00$ m
$e_s = 14,00$ m 22 gates é 61cm	$a = 77,00$ m sloping up 8°	$L = 70,00$ m
$t = 6,05$ m	$\beta_p = 35,50$ °	$b_1 = 2,15$ m
$\gamma = 34,00$ °	$\beta = 33,50$ °	$b_2 = 6,50$ m
$\alpha = 10,00$ °	$\beta_L = 31,50$ °	$b_K = 12,80$ m
$r_1 = 70,00$ m	$r_L = 160,00$ m	$b_U = 14,30$ m
$h = 29,25$ m	$r_{2L} = 116,00$ m	$d = 51,00$ m
$n = 56,60$ m	$r_2 = 90,00$ m	$q = 29,00$ m
$s = 1,45$ m	$V_o = 21,70$ m/s	$Z_u = 46,60$ m

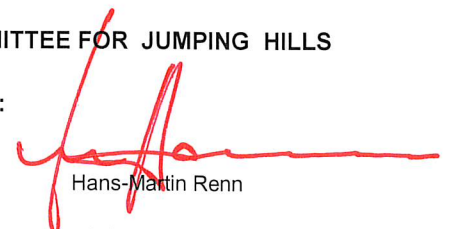
Remarks / Bemerkungen

1. inspection by Josef Slavik (30th June 2021 with upgrad 30th July 2021)
2. the remarks of the inspection-report must be observed and fulfilled for the validity of the certification.
3. for fulfilling the (FIS-ICR) standards of the jumpinghill, the owner is responsible during training and competition.
4. during training and competition:
 - 4.1. the area "B" between takeoff table and beginning of mat-covering must be covered with snow.
 - 4.2. the steel construction in front of the takeoff table for covering tarpaulin must be covered with mobile box and soft material.

JUMPING HILL APPROVED BY THE FIS
TREPLIN HOMOLOGUE PAR LA FIS
DURCH DIE FIS GENEHMIGTE SPRUNGSCHANZE

SUB-COMMITTEE FOR JUMPING HILLS

CHAIRMAN:



Hans-Martin Renn